


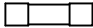


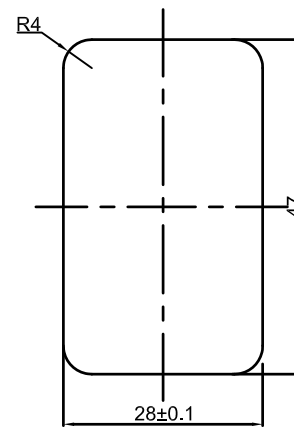
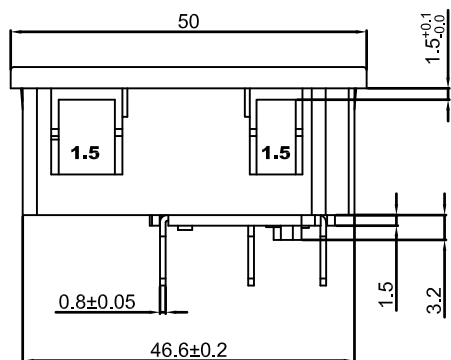
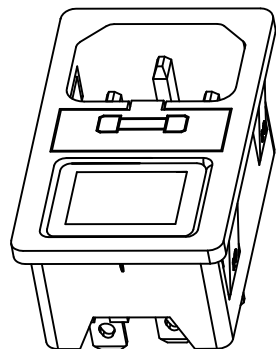
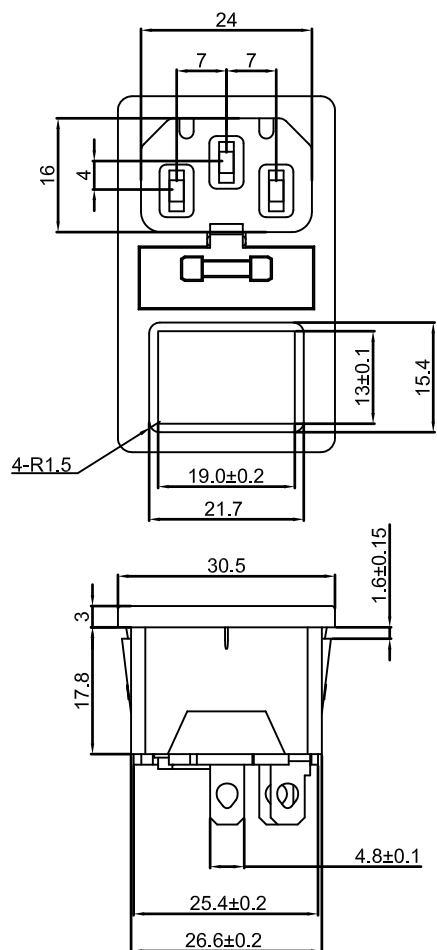


S-03F-12S-4-1.5

Rating: 6.3A 250V AC (UL CUL) 
 6.3A 250V AC (VDE) 
 10A 250V AC (CCC) 

Insulation Resistance: DC 500V 100MΩ Min.
 Dielectric Strength: AC2000V 1 minute
 Fuse:Ø5.0x20mm 

MATERIAL:
 Body:PA66
 Terminal:Brass,Silver or Tin plated



CUT-OUT

				公差 TOLERANCES		.X± 0.3	.XX± 0.15	角度 ANGLE ± 1°	单位 DIMENSION UNIT mm.		
				版本 VERSION	A1	比例尺 SCALE	NONE	日期 DATE	2019.07.11	品名 TITLE	图号 DRAWING NO
A1	重新整理发行	2019.07.11	N/A	核准		核对		绘图	Z.H.B.	S-03F-12S-4-1.5	S-03F-12S-4-1.5_A1
A0	New Issue	2008.07.08	N/A	APPROVED BY		CHECKED BY		DRAWN BY			
版本 VER.	变更说明 CHANGE DESCRIPTION	日期 DATE	ECN NO	APPROVED BY		CHECKED BY		DRAWN BY			